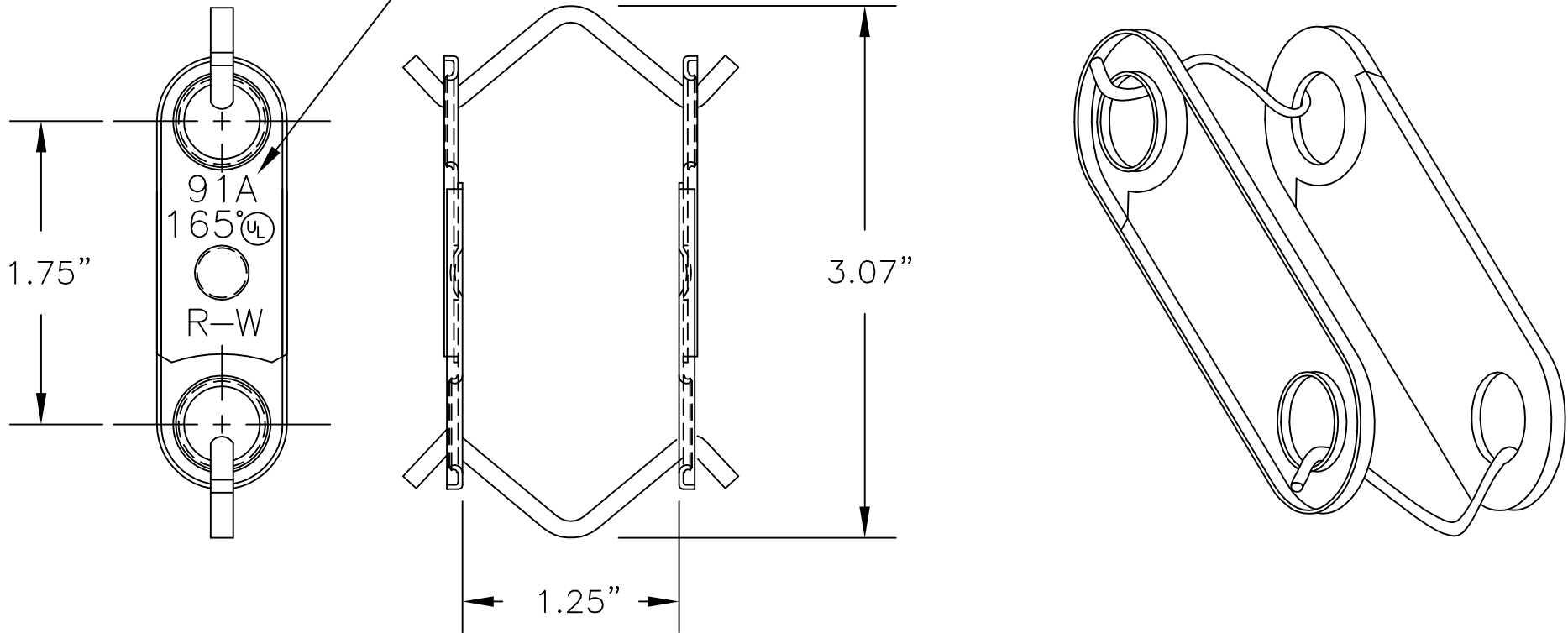


NOTE: THIS NUMBER REPRESENTS
YEAR OF MFG.



NOTES: FUSIBLE LINKS LISTED BY
UNDERWRITERS LABORATORIES, INC.
DOUBLE FUSIBLE LINK ASSEMBLY
DESIGNED FOR LOADS UP TO 60 LBS.