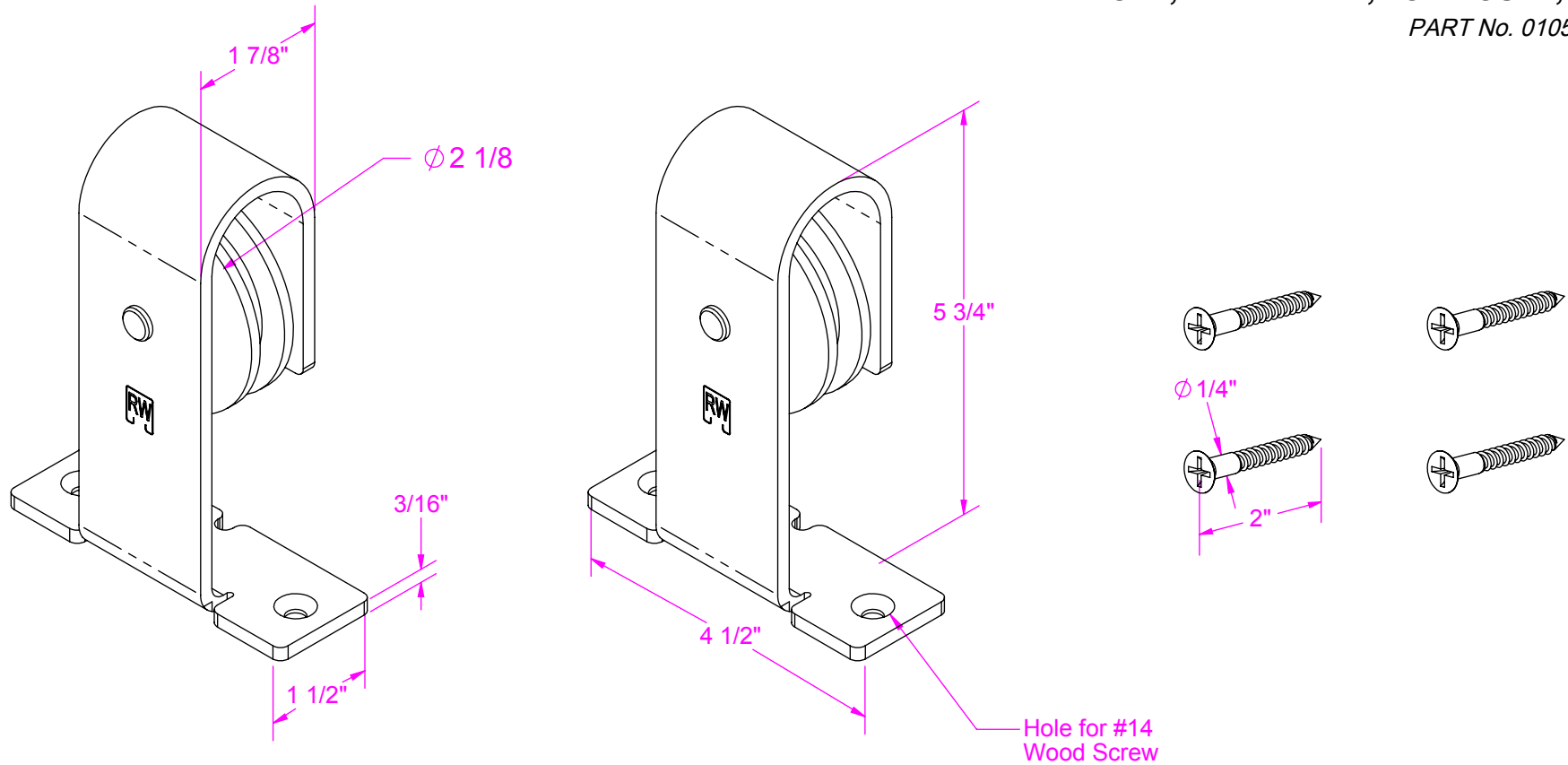


**HANGER, FLAT TRACK, TOP MOUNT, (PAIR)**

PART No. 0105.00301



**Application:** Hangers are used on the Flat Track bar for doors 1-3/4" thick.

**Capacity:** 200 lbs. (pair)

**Finish:** Hangers-Black Powder Coat  
#14 Wood Screws, Zinc Plated

**RICHARDS-WILCOX**

600 S. Lake St. Aurora, IL 60506  
800-253-5668 • (630) 897-6951  
richardswilcox.com

DESCRIPTION:

HANGER, FLAT TRACK, TOP MOUNT, (PAIR)

Part No.:

0105.00301

Date:

4/10/2013

Part Weight:

4.75 lbs

Rev.:

A

**NOTICE:**

THIS DRAWING IN DESIGN AND DETAIL IS THE PROPERTY OF RICHARDS-WILCOX. ANY REPRODUCTIONS OF THIS PRINT AND/OR DESIGN WITHOUT THE WRITTEN CONSENT OF RICHARDS-WILCOX IS PROHIBITED.