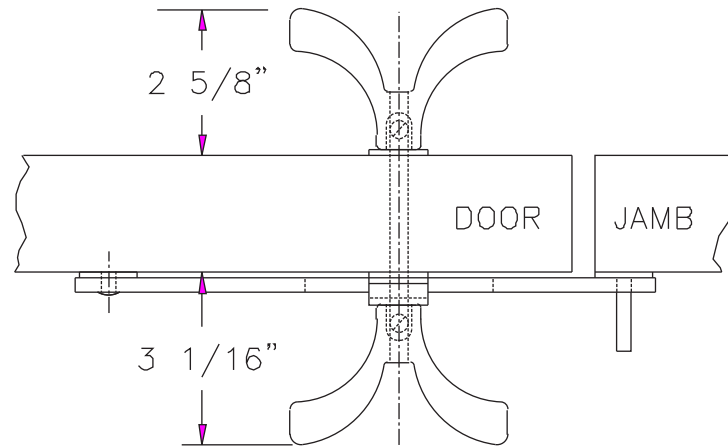
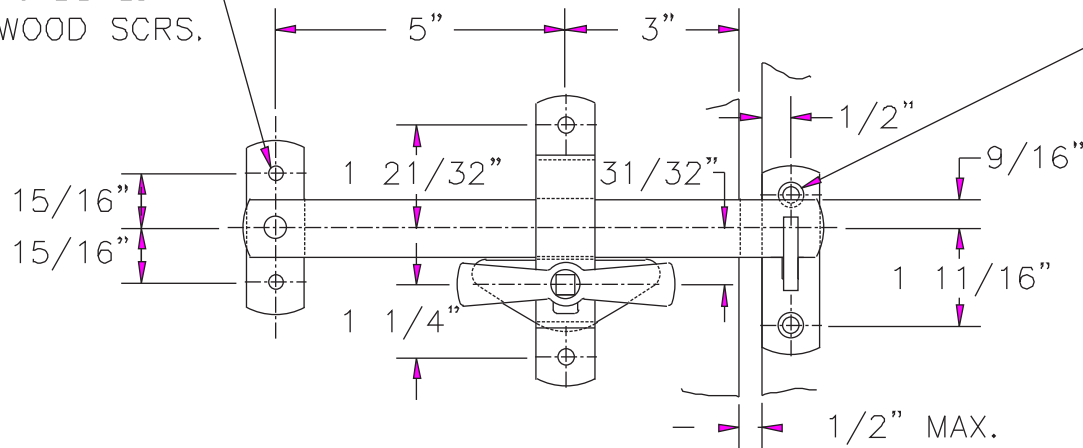


NOTE:

MAX DOOR
THICKNESS = $2 \frac{5}{8}$ "



(4) $9/32$ " DIA HOLES
FOR $1/4$ " MACH. SCRS.
OR # 14 R.H WOOD SCRS.



(2) $9/32$ " DIA. HOLES
FOR $1/4$ " F.H. MACH.
SCRS. OR #14 F.H.
WOOD SCREWS.