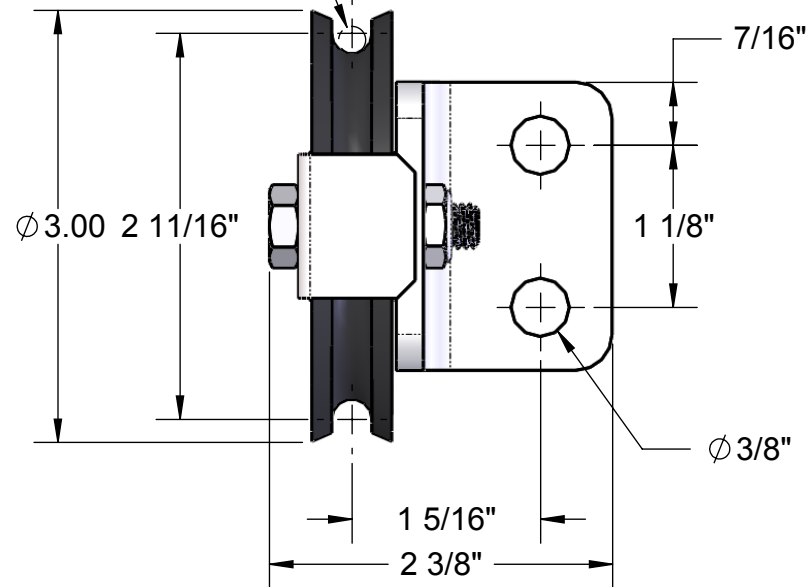
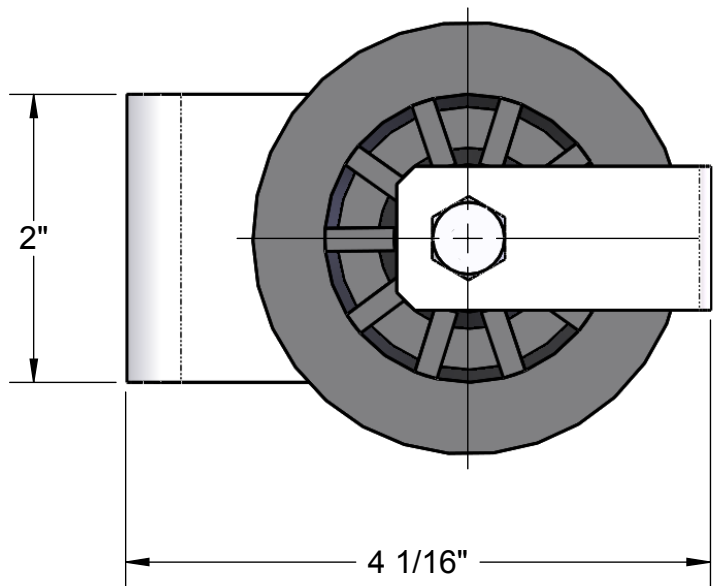
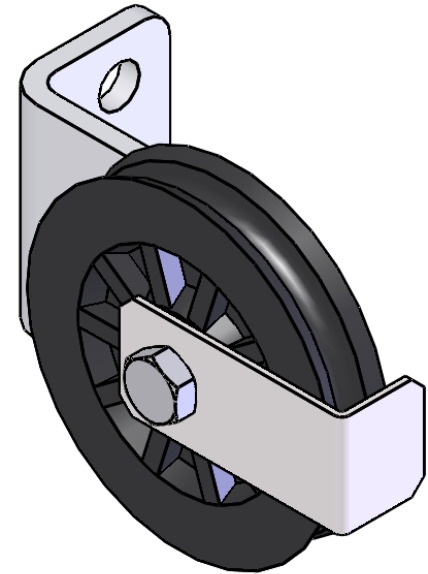


Ø 3/16" CABLE
SUPPLIED BY OTHERS



RICHARDS-WILCOX

600 S. Lake St. Aurora, IL 60506
800-253-5668 • (630) 897-6951
richardswilcox.com

DESCRIPTION:

234 VERTICAL MOUNT PULLY

ITEM NO.:

0234.00017

DATE:

5/11/09

REV:

B

PART WEIGHT:

0.65 lbs.

NOTICE

THIS DRAWING IN DESIGN AND DETAIL IS THE PROPERTY OF RICHARDS-WILCOX. ANY REPRODUCTIONS OF THIS PRINT AND/OR DESIGN WITHOUT THE WRITTEN CONSENT OF RICHARDS-WILCOX IS PROHIBITED.