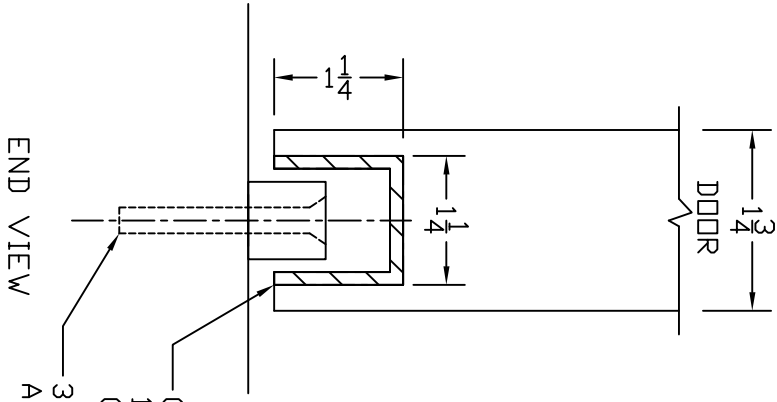
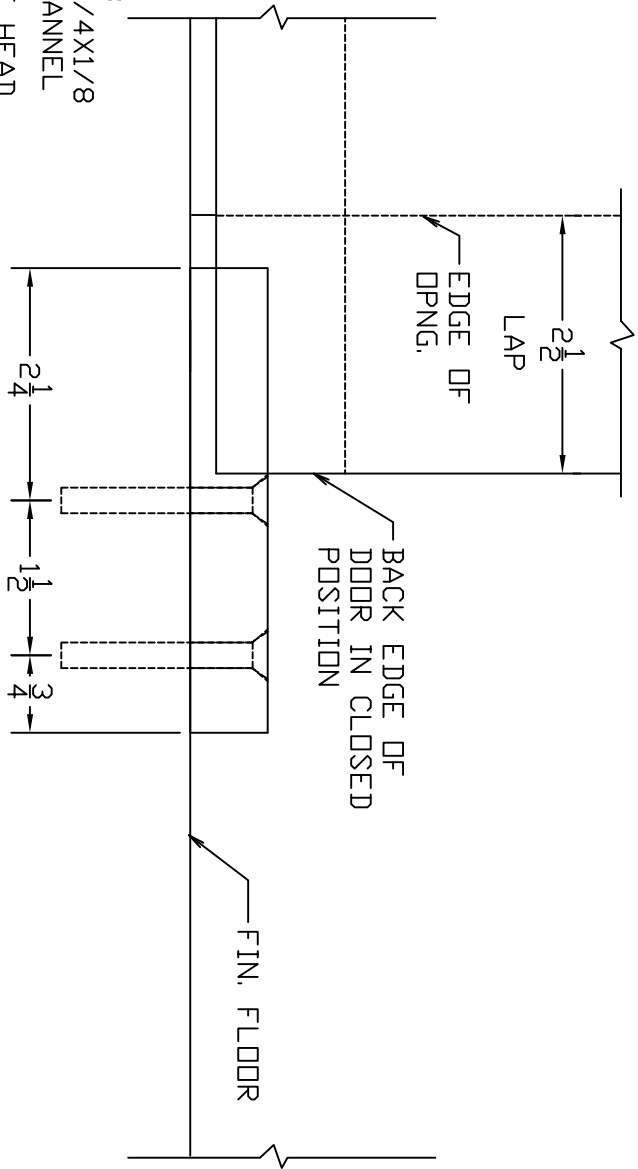


PLAN VIEW



- 0105.00108
- 1-1/4X1-1/4X1/8  
GUIDE CHANNEL
- 3/16 FLAT HEAD  
ANCHOR (BY OTHERS)



ELEVATION