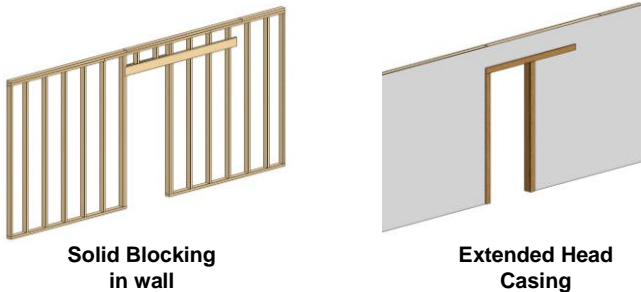


## General Notes:

- Track lengths are equal to 2x the nominal door width (exp. 36" wide door will have a 72" long track.)
- For Bi-parting doors, two sets for track, 2x the nominal door width are needed. The tracks can be butted together. See Bi-Parting door print.
- Track wall spacers are for typical 1-3/4" doors. Spacers are available for 2-1/4" doors and must be specified.
- If the door is not a typical size (exp. 40") the end one stop will have to be relocated. A hole will have to be drilled in the track in the proper position needed. Use a hex bolt (not supplied) to bolt the stop in place.

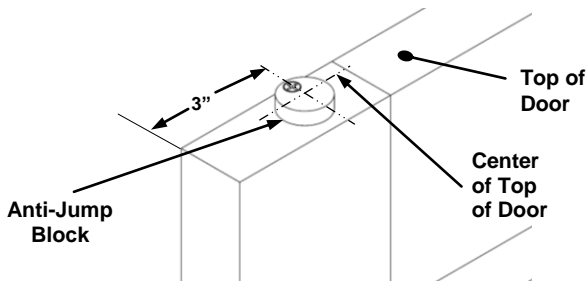
## 1. Wall Preparation:

- 1.1. Solid blocking is needed to attach the flat track to the wall. Either inside the wall or extended head casing on the finish wall.

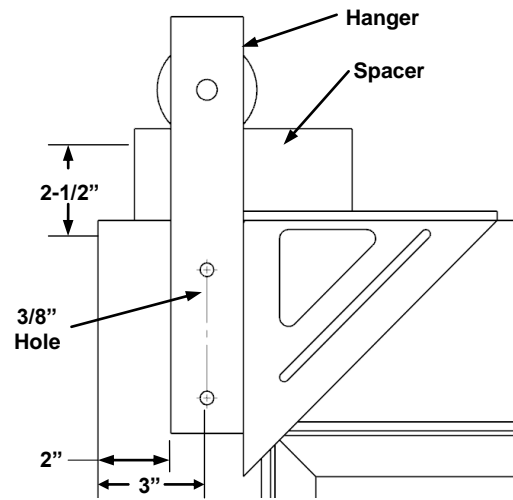


## 2. 1. Door Preparation:

- 2.1. Attach the anti-jump blocks to the top edge of the door following the dimensions in the figure below. Use a 3/16" drill bit to pre-drill hole.

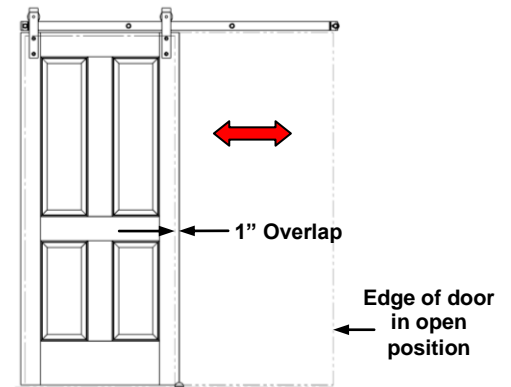


- 2.2. Make a 2-1/2" spacer out of a piece of card board to space the hanger the right distance away from the door.
- 2.3. Square the hanger to the door 2" from the edge. Mark the holes and drill through the door with a 3/8" drill bit. (Use a backer block on the back side of the door to limit tear out)



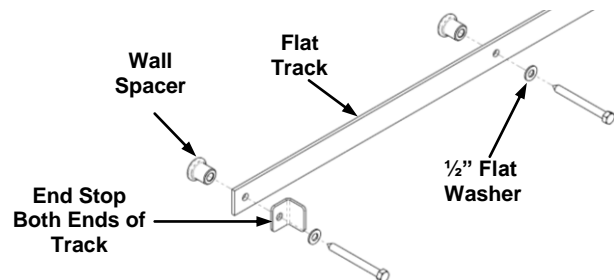
## 3. Door Opening:

- 3.1. The door should over opening by 1" (i.e. 36" wide door will have a 35" opening).

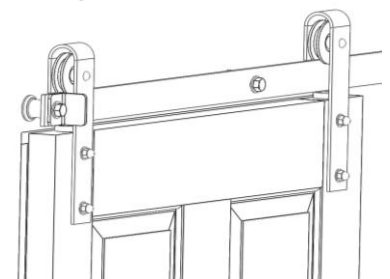


## 4. Track Installation:

- 4.1. Layout and mark the location of the holes on the wall. See Flat Track Head Section sheet.
- 4.2. Pre drill holes for lag screws. (lags & washers not supplied. 1/2" x 5" lg. recommended)

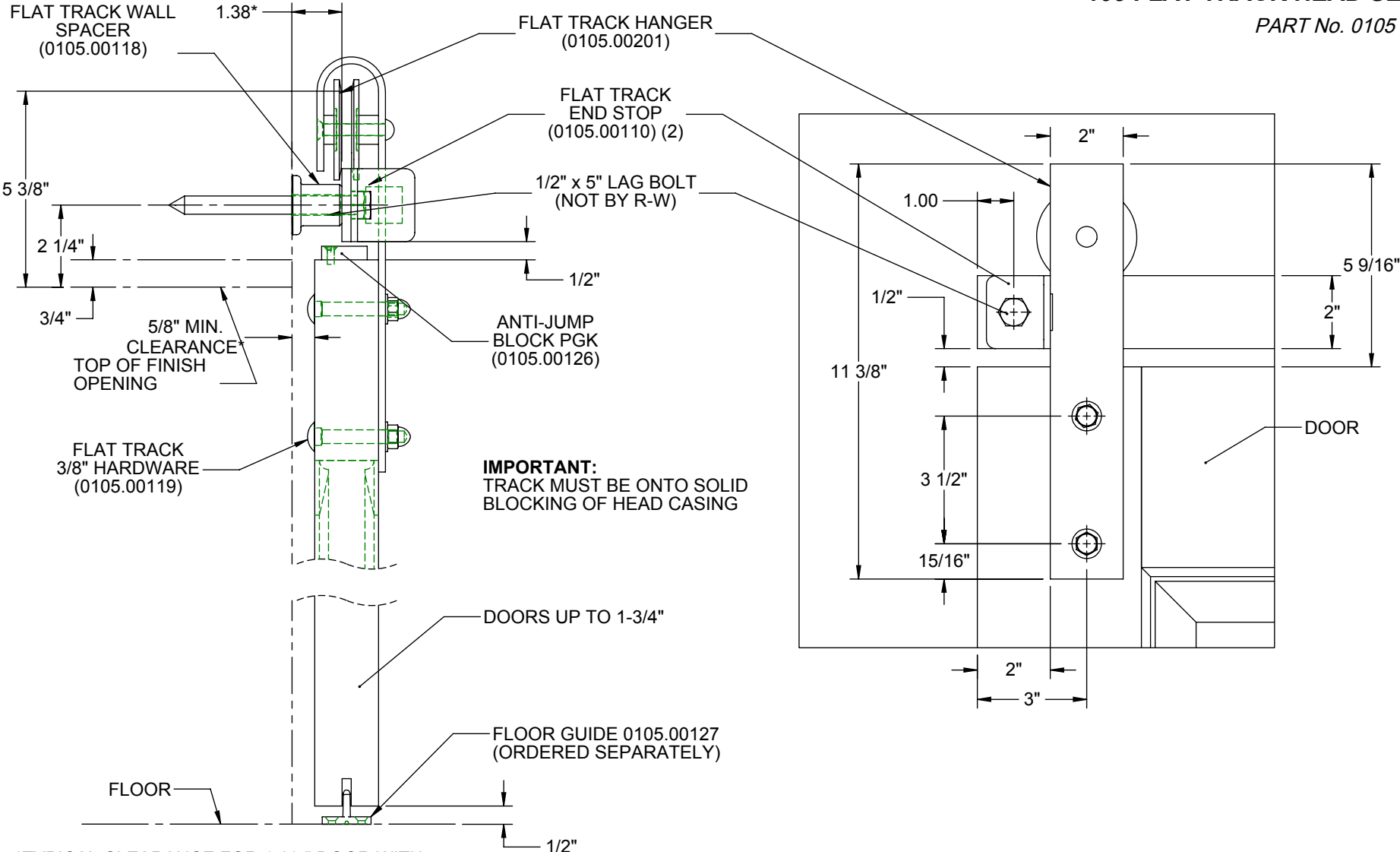


- 4.3. Hang door on track.



**105 FLAT TRACK HEAD SECTION**

PART No. 0105 SERIES



\*TYPICAL CLEARANCE FOR 1-3/4" DOOR WITH 1-3/8" WALL SPACER

IF NEEDED, ADDITIONAL SPACE CAN BE ADDED BY USING WASHERS BETWEEN TRACK AND WALL SPACERS

FLAT TRACK SYSTEM CAPACITY: 400 LBS. PER PAIR OF HANGERS

**RICHARDS-WILCOX**

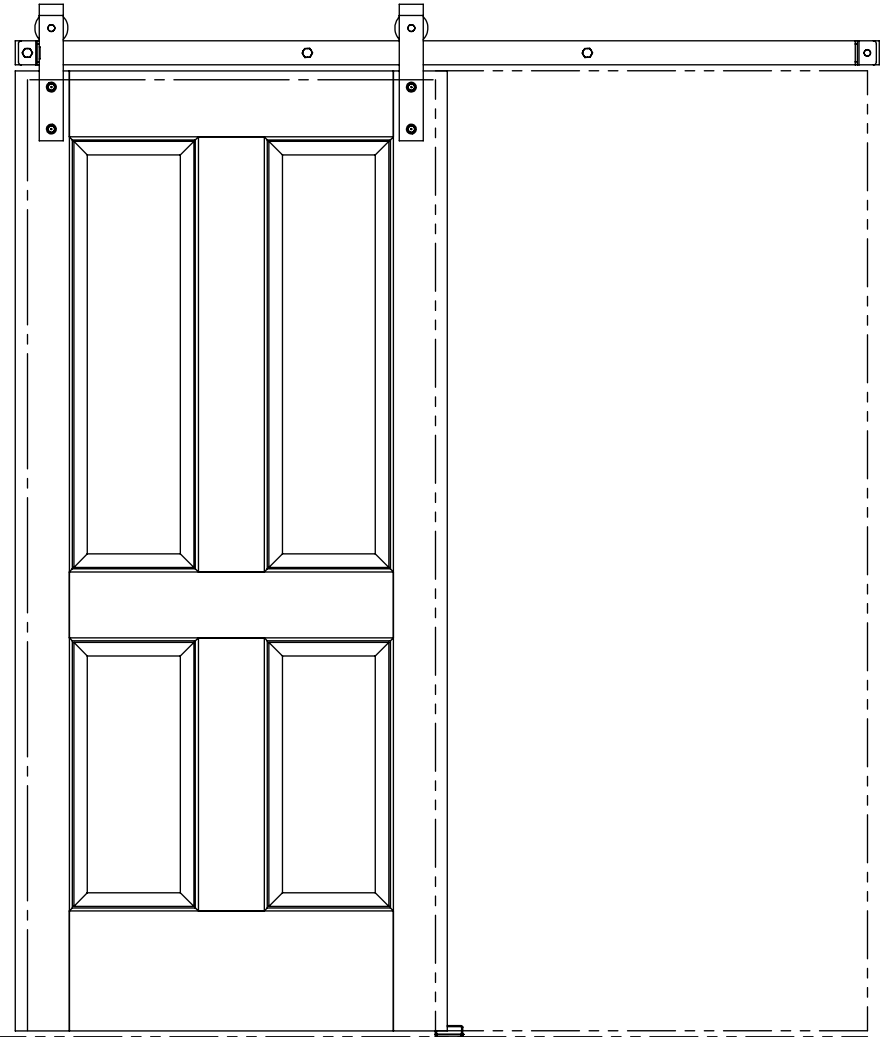
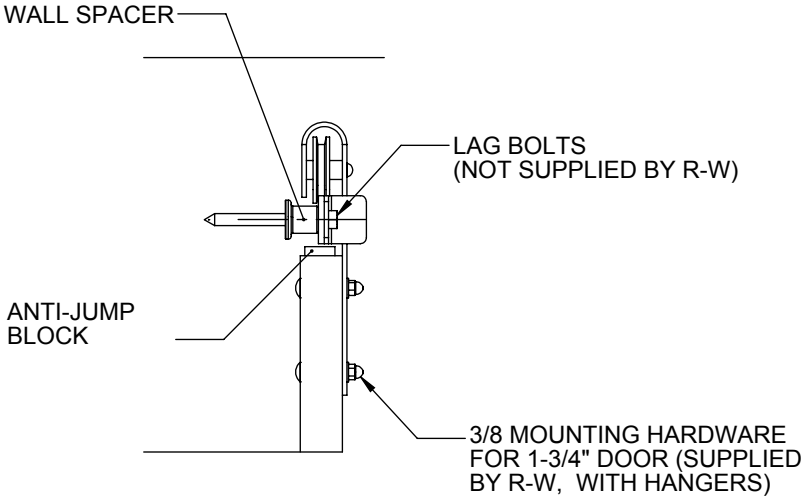
DESCRIPTION: 0105 FLAT TRACK HEAD SECTION

**NOTICE:**  
THIS DRAWING IN DESIGN AND DETAIL IS THE PROPERTY OF RICHARDS-WILCOX. ANY REPRODUCTIONS OF THIS PRINT AND/OR DESIGN WITHOUT THE WRITTEN CONSENT OF RICHARDS-WILCOX IS PROHIBITED.

600 S. Lake St. Aurora, IL 60506  
800-253-5668 • (630) 897-6951  
richardswilcox.com

Part No.: <b>0105 SERIES</b>	Date: <b>2/27/2013</b>	Part Weight:	Rev.: <b>A</b>
---------------------------------	---------------------------	--------------	-------------------

**105 FLAT TRACK SINGLE DOOR**  
*PART No. 0105 SERIES*



**GENERAL NOTES:**

TRACK LENGTHS ARE EQUAL TO 2X THE NOMINAL DOOR WIDTH (EXP. 36" WIDE DOOR WILL HAVE A 72" TRACK)

IF A DOOR IS MORE THAN 1" OVER TYPICAL SIZE (37" ON A 72" TRACK) THE HANGERS LOCATIONS ON THE DOOR WILL NEED TO BE CHANGED.

TRACK WALL SPACERS ARE FOR TYPICAL 1-3/4" DOORS. SPACERS FOR 2-1/4" DOORS ARE AVAILABLE AND MUST BE SPECIFIED.

BI-PARTING DOORS, BUTT THE TRACKS ENDS TIGHTLY TOGETHER. SPLICE PLATE NOT NEEDED.

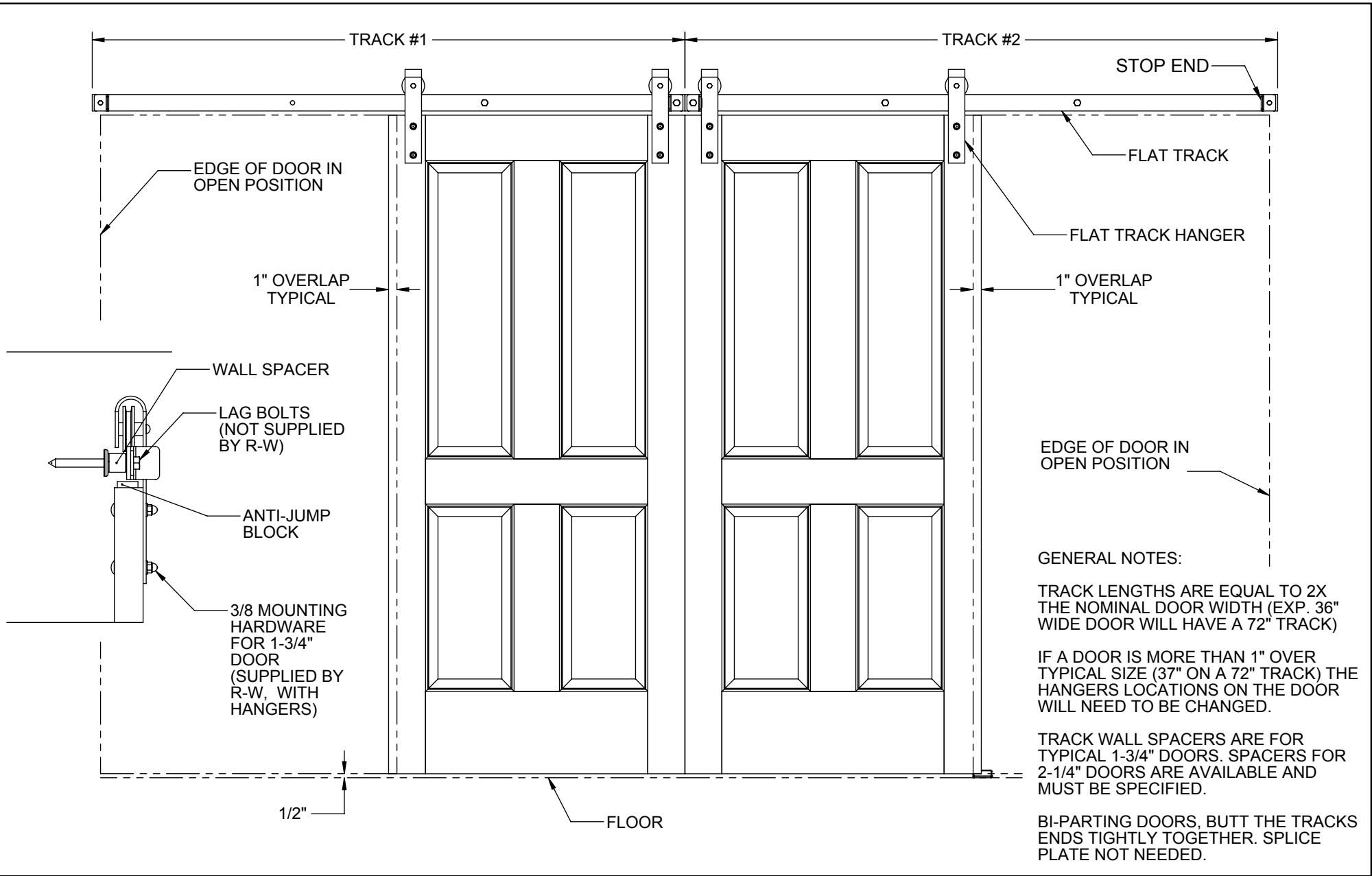
**RICHARDS-WILCOX**

600 S. Lake St. Aurora, IL 60506  
 800-253-5668 • (630) 897-6951  
 richardswilcox.com

DESCRIPTION: <b>FLAT TRACK, SINGLE DOOR</b>			
ITEM NO.:	DATE:	REV:	PART WEIGHT:
0105	10/29/12	A	N/A

**NOTICE**

THIS DRAWING IN DESIGN AND DETAIL IS THE PROPERTY OF RICHARDS-WILCOX. ANY REPRODUCTIONS OF THIS PRINT AND/OR DESIGN WITHOUT THE WRITTEN CONSENT OF RICHARDS-WILCOX IS PROHIBITED.



# **RICHARDS-WILCOX**

600 S. Lake St. Aurora, IL 60506  
 800-253-5668 • (630) 897-6951  
 richardswilcox.com

DESCRIPTION: <b>FLAT TRACK, BI-PARTING DOORS</b>			
ITEM NO.:	DATE:	REV:	PART WEIGHT:
0105	10/29/12	A	N/A

## **NOTICE**

THIS DRAWING IN DESIGN AND DETAIL IS THE PROPERTY OF RICHARDS-WILCOX. ANY REPRODUCTIONS OF THIS PRINT AND/OR DESIGN WITHOUT THE WRITTEN CONSENT OF RICHARDS-WILCOX IS PROHIBITED.